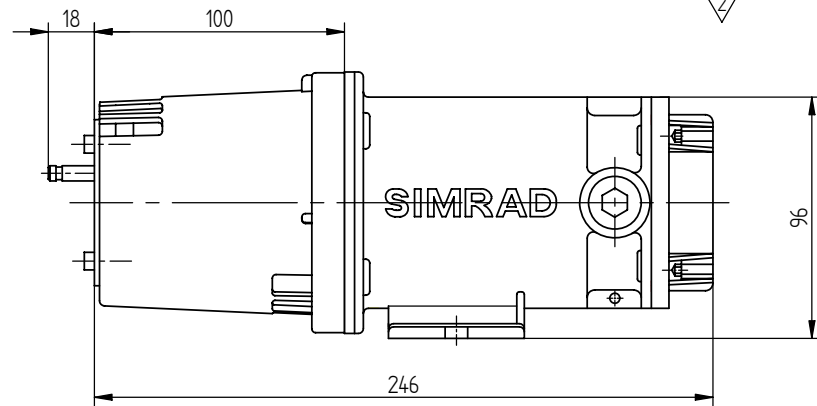
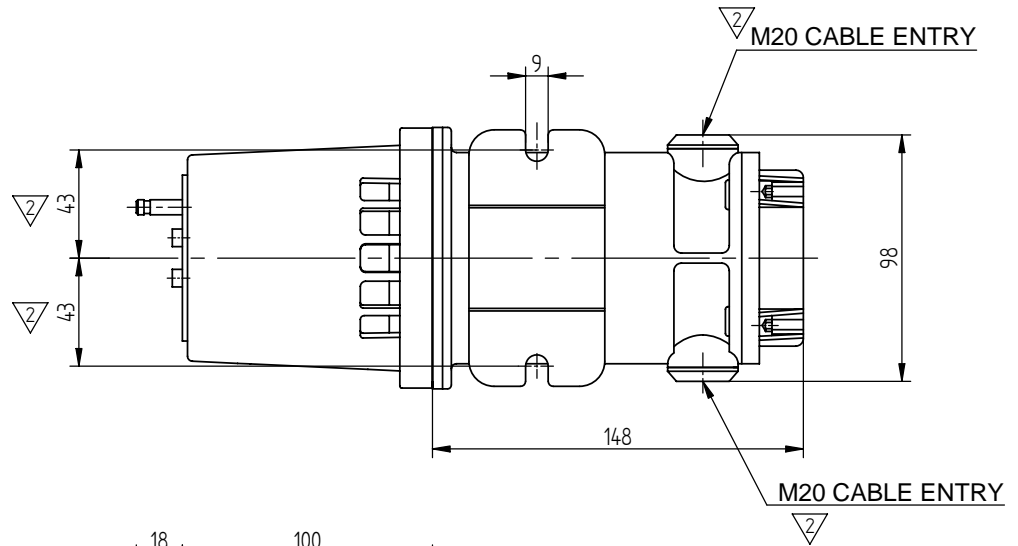
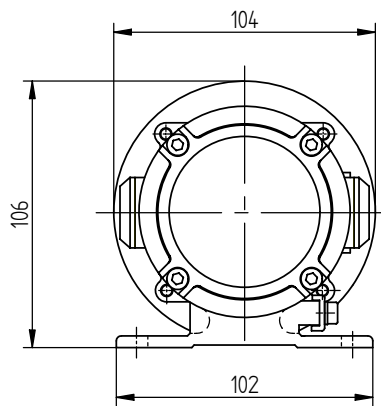


1 | 2 | 3 | 4 | 5 | 6

A
B
C
D



CN	7625 HK 98.09.14	8042 HK 03.01.29			
MATERIAL					
SURF.TREATM.					
GEN.TOLERA.	EUR PROJ	OUTLINE DRAWING		DRWG NO	REV
DIN7168m				830-810932	2
DRAWN	96.04.15	HK	Gas Detector GD10P		
CONTR	96.12.10	SL			
AUTH	96.12.11	ABj			
SCALE		WEIGHT		PAGE 1 OF 1	
1:2		SIZE A3			

1 | 2 | 3 | 4 | 5 | 6